

# HEART™

Hybrid Energy Absorbing Reusable Terminal



The HEART™ is a reusable, restorable, non-gating and re-directive crash cushion manufactured by Trinity Highway Products, LLC. The HEART™ is compliant with the NCHRP Report 350 Test Level 3.

The HEART™ uses High Molecular Weight/High Density Polyethylene (HMW/HDPE) side panels and a rounded frontal nose piece, which are connected to steel diaphragms mounted on tubular steel tracks. The HEART's HMW/HDPE panels and nose reduce lifecycle costs and minimize maintenance.

#### Features

- Reusable High Molecular Weight/High Density Polyethylene (HMW/HDPE) side panels and frontal nose.

- Anchor bolts are easily accessible without the removal of side panels or diaphragms.
- NCHRP Report 350 Test Level 3 compliant.

#### Back-Up Structure Attachments

- Concrete barrier(s)
- Bridge pier(s)
- Bridge parapet(s)
- Square blocks(s)

#### Installation and Repair Advantages

- Units arrive fully assembled.
- Installs on new or existing concrete pad.
- Open design facilitates easy installation, inspection, and repair.

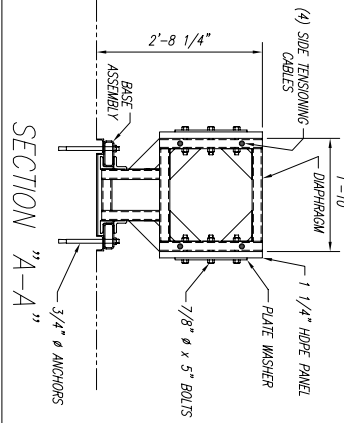
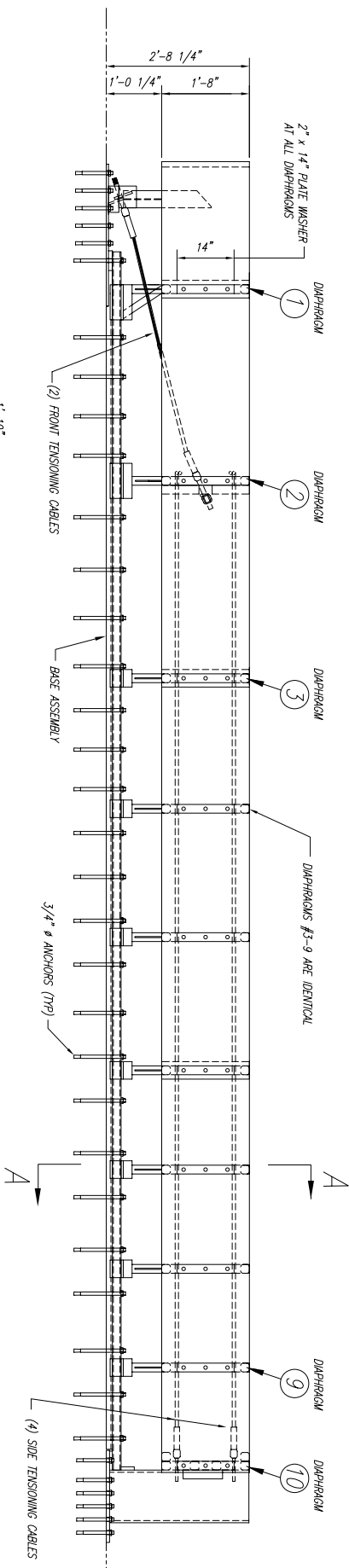
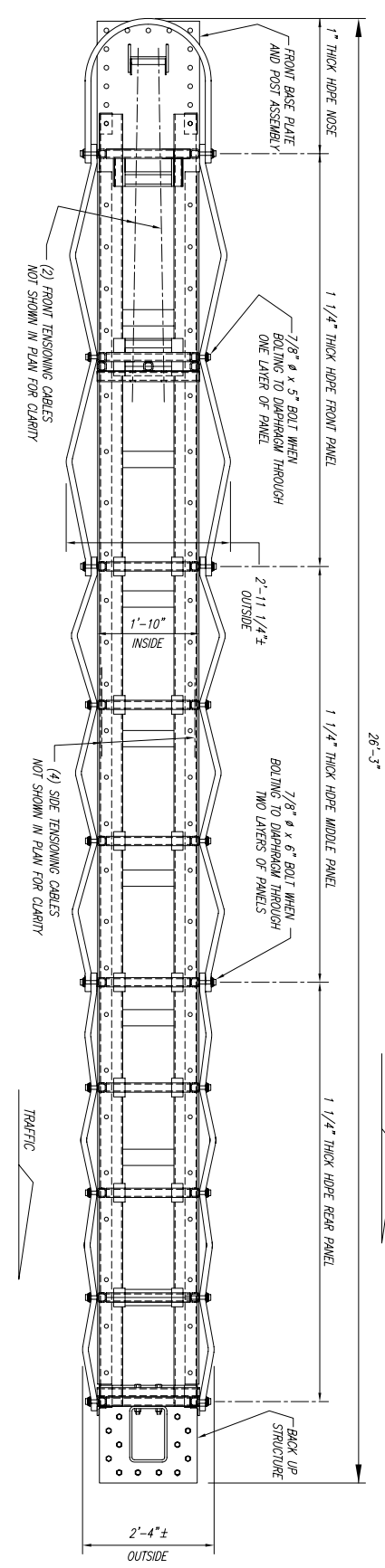
#### Specifications

- 26' Long
- 32" High
- 25" – 27" Wide at the diaphragms with a maximum width of 36" between diaphragms 3 and 4.
- 2700 Lbs



**1-800-527-6050**  
[www.highwayguardrail.com](http://www.highwayguardrail.com)

**1-888-323-6374**  
[www.energyabsorption.com](http://www.energyabsorption.com)



TRAFFIC

REV.	DATE	BY	CHKD.

	<b>HEART</b> HEART CRASH CUSHION HYBRID ENERGY ABSORBING REUSABLE TERMINAL PLAN, ELEVATION & SECTIONS
	TRINITY HIGHWAY PRODUCTS, LLC. 2525 STEWARTS RESEARCH AVENUE, SUITE 100 DALLAS, TX 75229

DRAWN BT	CHECKED APPROVED
DATE 07-02-07	SHEET NO. # SS1500-01E
DATE ET OF 1	DRAWING NO. SS 1500
REV. 0	

TRAFFIC

TRAFFIC

TRAFFIC

TRAFFIC

TRAFFIC

TRAFFIC

TRAFFIC

TRAFFIC

TRAFFIC

TRAFFIC

TRAFFIC

TRAFFIC

TRAFFIC

TRAFFIC

TRAFFIC

TRAFFIC

TRAFFIC

TRAFFIC

TRAFFIC

TRAFFIC

TRAFFIC

TRAFFIC

TRAFFIC

TRAFFIC

TRAFFIC

TRAFFIC

TRAFFIC

TRAFFIC

TRAFFIC

TRAFFIC

TRAFFIC

TRAFFIC

TRAFFIC

TRAFFIC

TRAFFIC

TRAFFIC

TRAFFIC

TRAFFIC

TRAFFIC

TRAFFIC

TRAFFIC

TRAFFIC

TRAFFIC

TRAFFIC

TRAFFIC

TRAFFIC

TRAFFIC

TRAFFIC

TRAFFIC

TRAFFIC

TRAFFIC

TRAFFIC

TRAFFIC

TRAFFIC

TRAFFIC

TRAFFIC

TRAFFIC

TRAFFIC

TRAFFIC

TRAFFIC

TRAFFIC

TRAFFIC

TRAFFIC

TRAFFIC

TRAFFIC

TRAFFIC

TRAFFIC

TRAFFIC

TRAFFIC

TRAFFIC

TRAFFIC

TRAFFIC

TRAFFIC

TRAFFIC

TRAFFIC

TRAFFIC

TRAFFIC

TRAFFIC

TRAFFIC

TRAFFIC

TRAFFIC

TRAFFIC

TRAFFIC

TRAFFIC

TRAFFIC

TRAFFIC

TRAFFIC

TRAFFIC

TRAFFIC

TRAFFIC

TRAFFIC

TRAFFIC

TRAFFIC

TRAFFIC

TRAFFIC

TRAFFIC

TRAFFIC

TRAFFIC

TRAFFIC

TRAFFIC

TRAFFIC

TRAFFIC

TRAFFIC

TRAFFIC

TRAFFIC

TRAFFIC

TRAFFIC

TRAFFIC

TRAFFIC

TRAFFIC

TRAFFIC

TRAFFIC

TRAFFIC

TRAFFIC

TRAFFIC

TRAFFIC

TRAFFIC

TRAFFIC

TRAFFIC

TRAFFIC

TRAFFIC

TRAFFIC

TRAFFIC

TRAFFIC

TRAFFIC

TRAFFIC

TRAFFIC

TRAFFIC

TRAFFIC

TRAFFIC

TRAFFIC

TRAFFIC

TRAFFIC

TRAFFIC

TRAFFIC

TRAFFIC

TRAFFIC

TRAFFIC

TRAFFIC

TRAFFIC

TRAFFIC

TRAFFIC

TRAFFIC

TRAFFIC

TRAFFIC

TRAFFIC

TRAFFIC

TRAFFIC

TRAFFIC

TRAFFIC

TRAFFIC

TRAFFIC

TRAFFIC

TRAFFIC

TRAFFIC

TRAFFIC

TRAFFIC

TRAFFIC

TRAFFIC

TRAFFIC

TRAFFIC

TRAFFIC

TRAFFIC

TRAFFIC

TRAFFIC

TRAFFIC

TRAFFIC

TRAFFIC

TRAFFIC

TRAFFIC

TRAFFIC

TRAFFIC

TRAFFIC

TRAFFIC

TRAFFIC

TRAFFIC

TRAFFIC

TRAFFIC

TRAFFIC

TRAFFIC

TRAFFIC

TRAFFIC

TRAFFIC

TRAFFIC

TRAFFIC

TRAFFIC

TRAFFIC

TRAFFIC

TRAFFIC

TRAFFIC

TRAFFIC

TRAFFIC

TRAFFIC

TRAFFIC

TRAFFIC

TRAFFIC

TRAFFIC

TRAFFIC

TRAFFIC

TRAFFIC

TRAFFIC

TRAFFIC

TRAFFIC

TRAFFIC

TRAFFIC

TRAFFIC

TRAFFIC

TRAFFIC

TRAFFIC

TRAFFIC

TRAFFIC

TRAFFIC

TRAFFIC

TRAFFIC

TRAFFIC

TRAFFIC

TRAFFIC

TRAFFIC

TRAFFIC

TRAFFIC

TRAFFIC

TRAFFIC

TRAFFIC

TRAFFIC

TRAFFIC

TRAFFIC

TRAFFIC

TRAFFIC

TRAFFIC

TRAFFIC

TRAFFIC

TRAFFIC

TRAFFIC

TRAFFIC

TRAFFIC

TRAFFIC

TRAFFIC

TRAFFIC

TRAFFIC

TRAFFIC

TRAFFIC

TRAFFIC

TRAFFIC

TRAFFIC

TRAFFIC

TRAFFIC

TRAFFIC

TRAFFIC

TRAFFIC

TRAFFIC

TRAFFIC

TRAFFIC

TRAFFIC

TRAFFIC

TRAFFIC

TRAFFIC

TRAFFIC

TRAFFIC

TRAFFIC

TRAFFIC

TRAFFIC

TRAFFIC

TRAFFIC

TRAFFIC

TRAFFIC

TRAFFIC

TRAFFIC

TRAFFIC

TRAFFIC

TRAFFIC

TRAFFIC

TRAFFIC

TRAFFIC

TRAFFIC

TRAFFIC